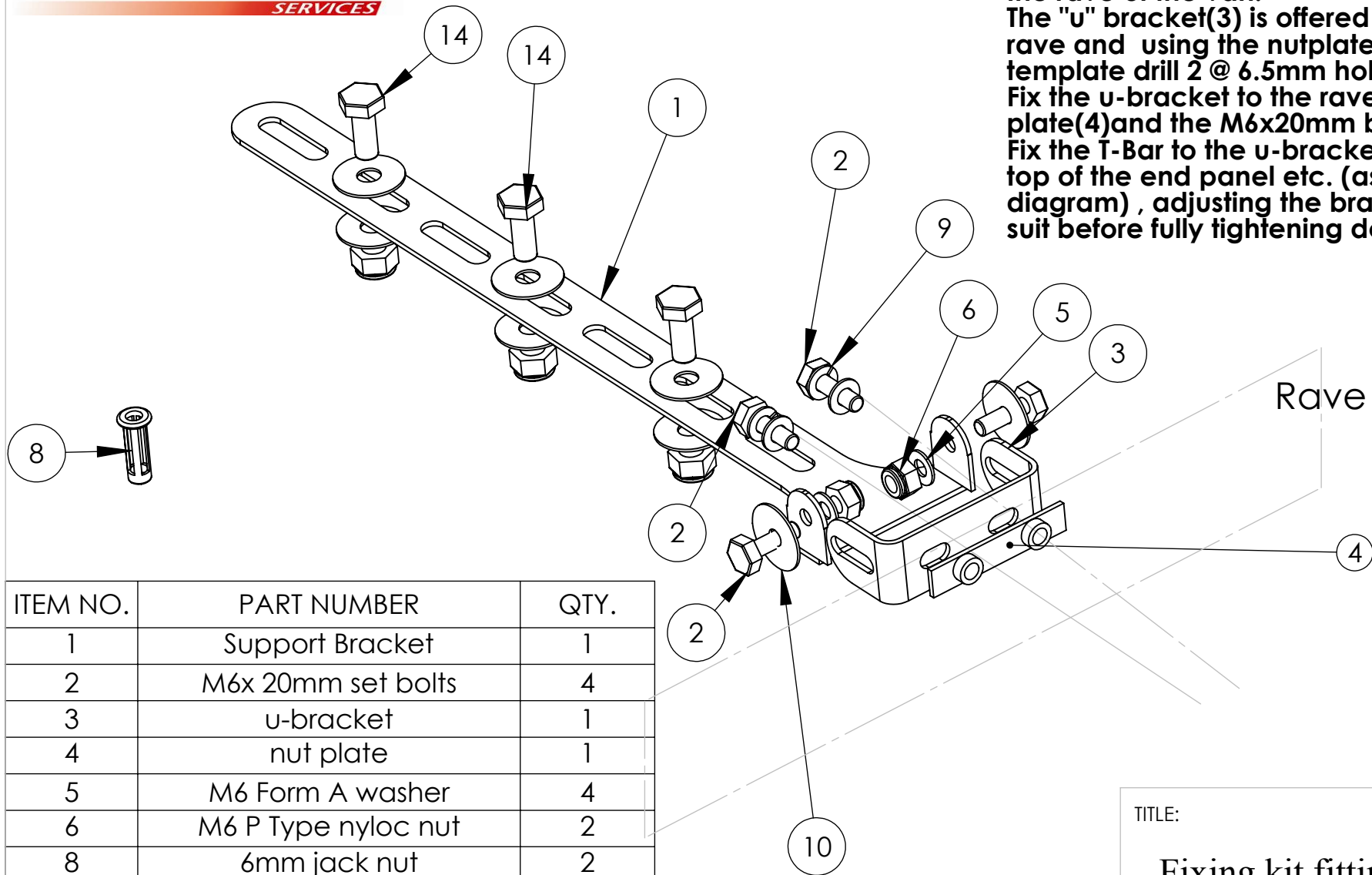


The support bracket fixes the end panel/ladder frame/extensions etc to the rave of the van.  
The "u" bracket(3) is offered up to the rave and using the nutplate (4) as a template drill 2 @ 6.5mm holes.  
Fix the u-bracket to the rave using the plate(4)and the M6x20mm bolts(2) .  
Fix the T-Bar to the u-bracket and the top of the end panel etc. (as per the diagram) , adjusting the bracket to suit before fully tightening down.



ITEM NO.	PART NUMBER	QTY.
1	Support Bracket	1
2	M6x 20mm set bolts	4
3	u-bracket	1
4	nut plate	1
5	M6 Form A washer	4
6	M6 P Type nyloc nut	2
8	6mm jack nut	2
9	M6 spring washer	2
10	6mm x 25mm washer	2
11	8mm Form C washer	6
12	M8 T Type nyloc nut	3
14	M8x20mm bolt	3

Copyright

TITLE:

Fixing kit fitting guide

**Bolt kit: blk002**